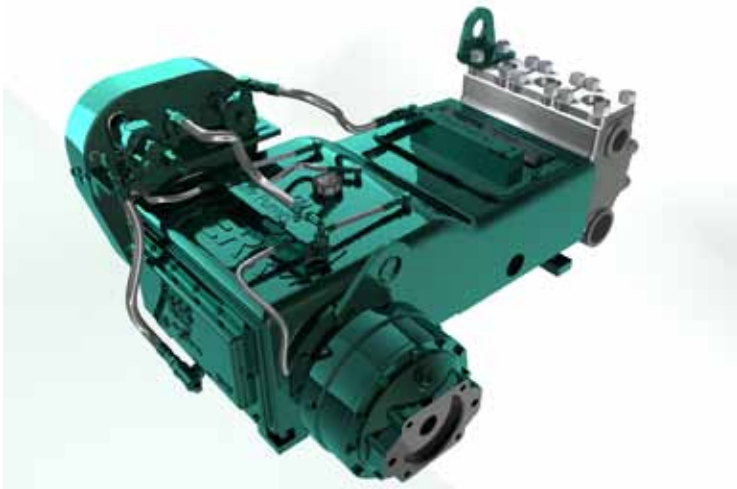


# KT-3350PT

## 117 BHP Triplex Piston Pump

Intermittent Duty



## SPECIFICATIONS

<b>Configuration</b>	Horizontal Triplex Piston
<b>Number of Pistons</b>	3
<b>Stroke Length</b>	3.5" / 89 mm
<b>Frame Load Rating</b>	9,264 lbs
<b>Fluid Cylinder Pressure Rating</b>	2,160 PSI
<b>Pump Weight (Avg.)</b>	1,200 lbs / 545 kilos
<b>Kerr Max Speed</b>	430 RPM
<b>Minimum Speed</b>	100 RPM
<b>Mechanical Efficiency (Bare Shaft)</b>	90%
<b>Lube System (Standard)</b>	Splash - Gravity Feed
<b>Lube System (Optional)</b>	Force Feed
<b>Lube Oil Capacity</b>	16 quarts / 15.4 liters
<b>Lube Oil Type</b>	Petroleum per AGMA 5EP (ISO 220) or Synthetic per SAE 75W-90 (ISO 100)
<b>Connection Sizes</b>	3" NPT Suction 2" NPT Discharge

## FLUID END

<b>Cast Ductile Iron</b>
<b>Other materials available on request</b>

## VALVES

<b>WING GUIDED</b>	
<b>17-4 HT / AR Urethane Inserted</b>	

## PISTONS / LINERS

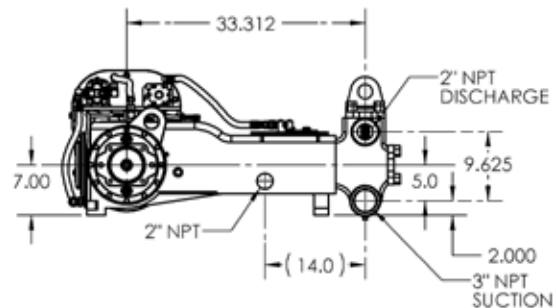
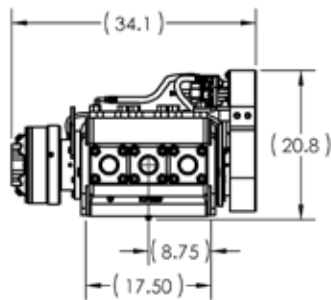
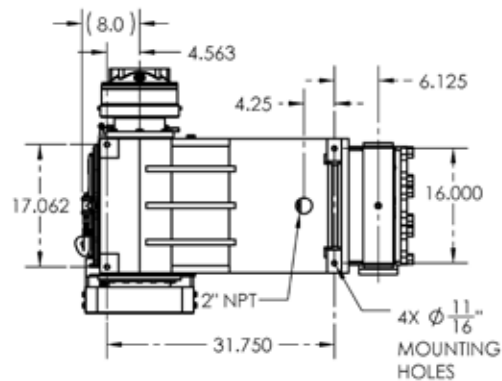
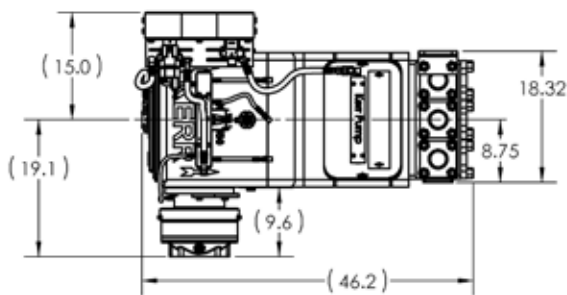
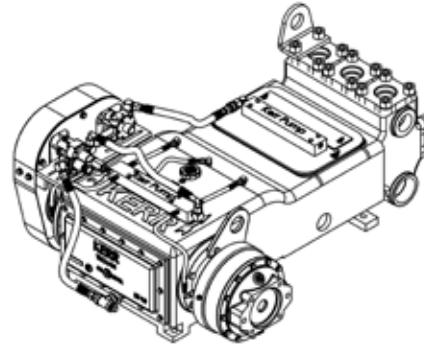
<b>Rubber / Ceramic Sleeved</b>
<b>Rubber / Chrome Plated-Sleeved</b>
<b>Rubber / Kerramic (Ceramic) Coat</b>

\* Consult Factory for Authorized Drawings for Dimensions  
 1) Displacement is based on 100% Volumetric Efficiency (VE)  
 2) Consult factory for operating speeds above maximum shown

# KT-3350PT

## 117 BHP Triplex Piston Pump

Intermittent Duty



PIST DIA. INCHES	MAX PRESS PSI	DISP GAL PER REV	DISPLACEMENT																	
			100 RPM		150 RPM		190 RPM		230 RPM		270 RPM		310 RPM		350 RPM		390 RPM		430 RPM	
			GPM	BPD	GPM	BPD	GPM	BPD	GPM	BPD	GPM	BPD	GPM	BPD	GPM	BPD	GPM	BPD	GPM	BPD
3.000	1311	0.3213	32.1	1102	48.2	1653	61.0	2094	73.9	2535	86.8	2976	99.6	3416	112.5	3857	125.3	4298	138.2	4739
3.500	963	0.4373	43.7	1500	65.6	2250	83.1	2850	100.6	3450	118.1	4050	135.6	4650	153.1	5250	170.6	5850	188.0	6450
4.000	737	0.5712	57.1	1959	85.7	2939	108.5	3722	131.4	4506	154.2	5290	177.1	6074	199.9	6857	N/A		N/A	

\* Consult Factory for Authorized Drawings for Dimensions

1) Displacement is based on 100% Volumetric Efficiency (VE)

2) Consult factory for operating speeds above maximum shown