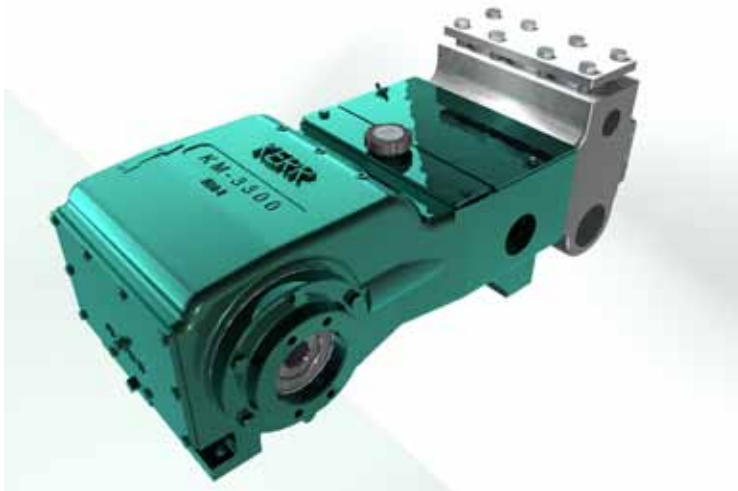


KM-3300SHPT

47.2 BHP Triplex Piston Pump

Intermittent Duty



SPECIFICATIONS

Configuration	Horizontal Triplex Piston
Number of Pistons	3
Stroke Length	3" / 76.2 mm
Frame Load Rating	3,978 lbs
Fluid Cylinder Pressure Rating	3,600 PSI
Pump Weight (Avg.)	340 lbs / 155 kilos
Kerr Max Speed	470 RPM
Minimum Speed	100 RPM
Mechanical Efficiency (Bare Shaft)	90%
Lube System (Standard)	Splash - Gravity Feed
Lube System (Optional)	Force Feed
Lube Oil Capacity	4 quarts / 3.785 liters
Lube Oil Type	Pertroleum per AGMA 5EP (ISO 220) or Synthetic per SAE 75W-90 (ISO 100)
Connection Sizes	2 1/2" NPT Suction 1 1/4" NPT Discharge

FLUID END

Cast Ductile Iron
Other materials available on request

VALVES

WING GUIDED	
17-4 HT / AR Urethane Inserted	

PISTONS / LINERS

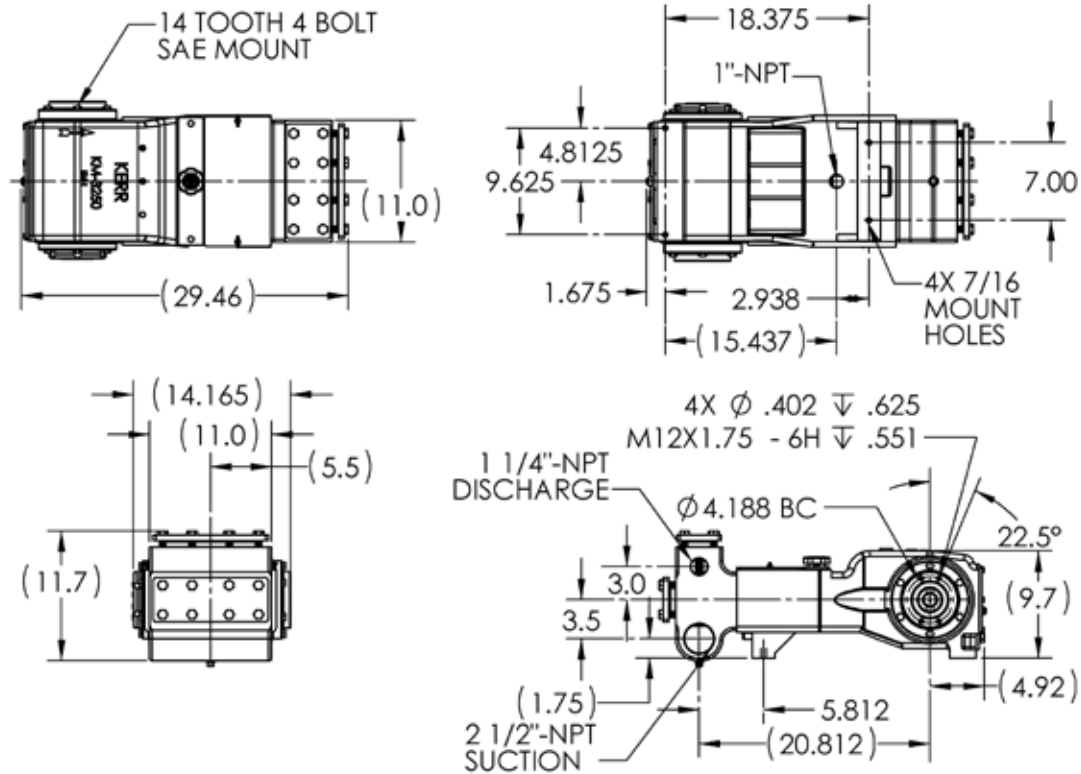
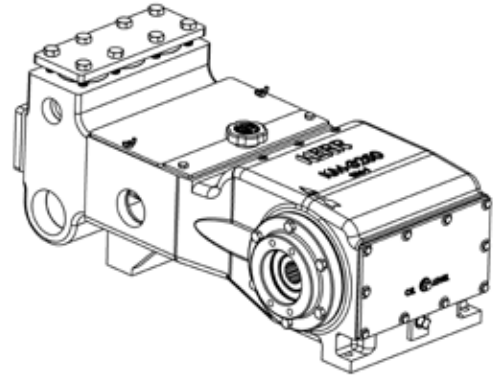
Rubber / Ceramic Sleeved
Rubber / Chrome Plated-Sleeved
Rubber / Kerramic (Ceramic) Coat
Run-Dry / Ceramic Sleeved
Run-Dry / Chrome Plated-Sleeved
Run-Dry / Kerramic (Ceramic) Coat
HSN / Ceramic Sleeved
HSN / Chrome Plated-Sleeved
HSN / Kerramic (Ceramic) Coat

* Consult Factory for Authorized Drawings for Dimensions
 1) Displacement is based on 100% Volumetric Efficiency (VE)
 2) Consult factory for operating speeds above maximum shown

KM-3300SHPT

47.2 BHP Triplex Piston Pump

Intermittent Duty



PIST DIA. INCHES	MAX PRESS PSI	DISP GAL PER REV	DISPLACEMENT																	
			100 RPM		155 RPM		200 RPM		245 RPM		290 RPM		335 RPM		380 RPM		425 RPM		470 RPM	
			GPM	BPD	GPM	BPD	GPM	BPD	GPM	BPD	GPM	BPD	GPM	BPD	GPM	BPD	GPM	BPD	GPM	BPD
1.500	2251	0.0688	6.9	236	10.7	366	13.8	472	16.9	579	20.0	685	23.1	791	26.2	897	29.3	1004	32.4	1110
1.750	1654	0.0937	9.4	321	14.5	498	18.7	643	23.0	788	27.2	932	31.4	1077	35.6	1221	39.8	1366	44.0	1511
2.000	1266	0.1224	12.2	420	19.0	651	24.5	840	30.0	1029	35.5	1218	41.0	1406	46.5	1595	52.0	1784	57.5	1973
2.250	1000	0.1549	15.5	531	24.0	824	31.0	1063	38.0	1302	44.9	1541	51.9	1780	58.9	2019	65.8	2258	72.8	2497

* Consult Factory for Authorized Drawings for Dimensions

1) Displacement is based on 100% Volumetric Efficiency (VE)

2) Consult factory for operating speeds above maximum shown