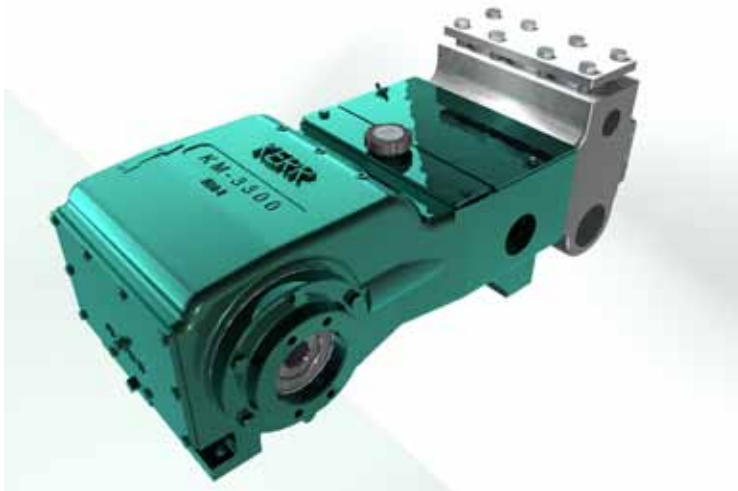


KM-3250SHPT

42.7 BHP Triplex Piston Pump

Intermittent Duty



SPECIFICATIONS

Configuration	Horizontal Triplex Piston
Number of Plungers	3
Stroke Length	2.5" / 63.5 mm
Frame Load Rating	3,978 lbs
Fluid Cylinder Pressure Rating	3,600 PSI
Pump Weight (Avg.)	340 lbs / 155 kilos
Kerr Max Speed	510 RPM
Minimum Speed	100 RPM
Mechanical Efficiency (Bare Shaft)	90%
Lube System (Standard)	Splash - Gravity Feed
Lube System (Optional)	Force Feed
Lube Oil Capacity	4 quarts / 3.785 liters
Lube Oil Type	Pertroleum per AGMA 5EP (ISO 220) or Synthetic per SAE 75W-90 (ISO 100)
Connection Sizes	2 1/2" NPT Suction 1 1/4" NPT Discharge

FLUID END

Cast Ductile Iron
Other materials available on request

VALVES

WING GUIDED	
17-4 HT / AR Urethane Inserted	

* Consult Factory for Authorized Drawings for Dimensions
 1) Displacement is based on 100% Volumetric Efficiency (VE)
 2) Consult factory for operating speeds above maximum shown

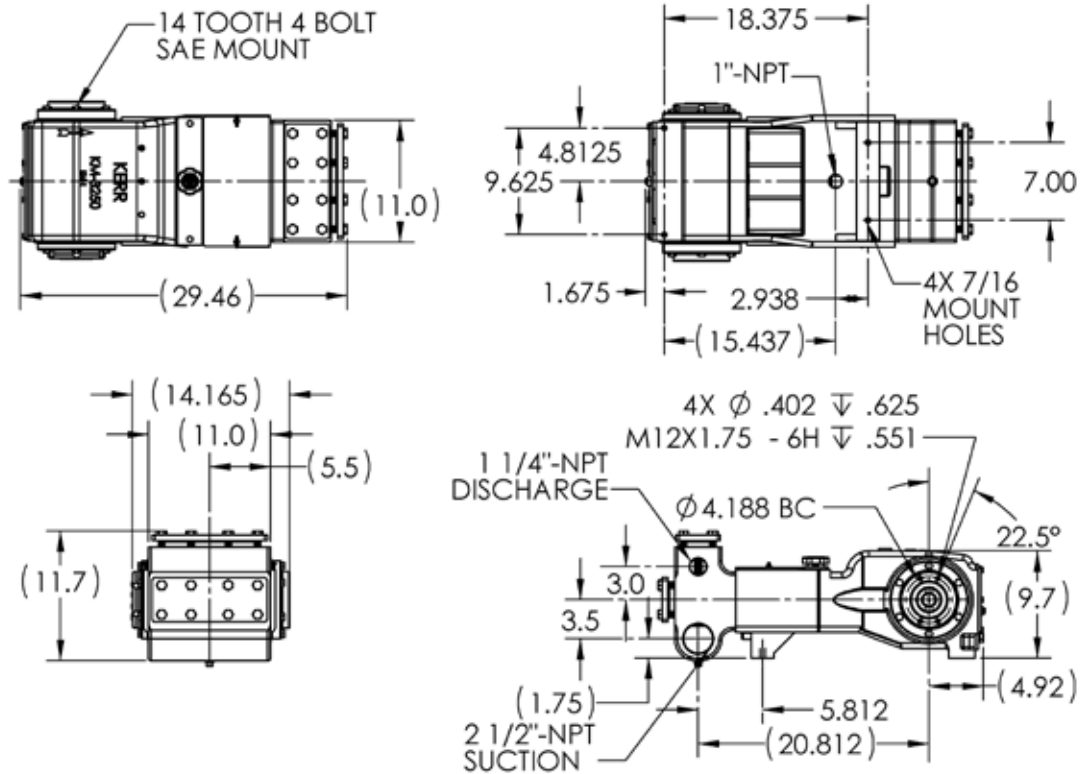
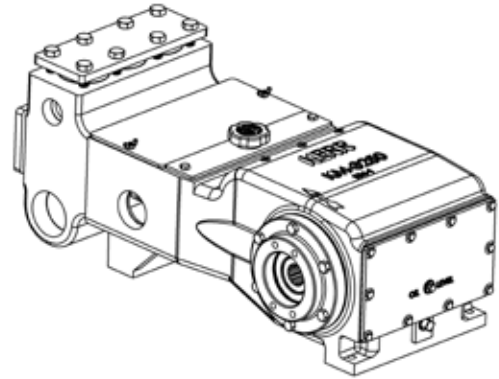
PISTONS / LINERS

Rubber / Ceramic Sleeved
Rubber / Chrome Plated-Sleeved
Rubber / Kerramic (Ceramic) Coat
Run-Dry / Ceramic Sleeved
Run-Dry / Chrome Plated-Sleeved
Run-Dry / Kerramic (Ceramic) Coat
HSN / Ceramic Sleeved
HSN / Chrome Plated-Sleeved
HSN / Kerramic (Ceramic) Coat

KM-3250SHPT

42.7 BHP Triplex Piston Pump

Intermittent Duty



PIST DIA. INCHES	MAX PRESS PSI	DISP GAL PER REV	DISPLACEMENT																	
			100 RPM		160 RPM		210 RPM		260 RPM		310 RPM		360 RPM		410 RPM		460 RPM		510 RPM	
			GPM	BPD	GPM	BPD	GPM	BPD	GPM	BPD	GPM	BPD	GPM	BPD	GPM	BPD	GPM	BPD	GPM	BPD
1.500	2251	0.0574	5.7	197	9.2	315	12.0	413	14.9	512	17.8	610	20.7	708	23.5	807	26.4	905	29.3	1004
1.750	1654	0.0781	7.8	268	12.5	429	16.4	563	20.3	696	24.2	830	28.1	964	32.0	1098	35.9	1232	39.8	1366
2.000	1266	0.1020	10.2	350	16.3	560	21.4	735	26.5	910	31.6	1085	36.7	1259	41.8	1434	46.9	1609	52.0	1784
2.250	1000	0.1291	12.9	443	20.7	708	27.1	930	33.6	1151	40.0	1373	46.5	1594	52.9	1815	59.4	2037	65.8	2258

* Consult Factory for Authorized Drawings for Dimensions

1) Displacement is based on 100% Volumetric Efficiency (VE)

2) Consult factory for operating speeds above maximum shown

Dupagro B.V.
Ooststeeg 102
6708 AX Wageningen
The Netherlands

Phone +31 (0) 317 840 197
info@dupagro.com
www.dupagro.com